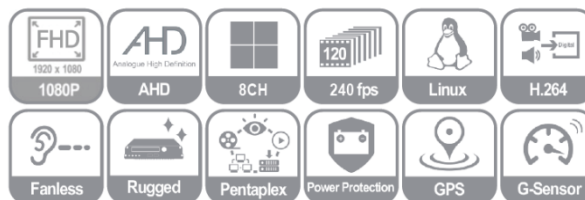




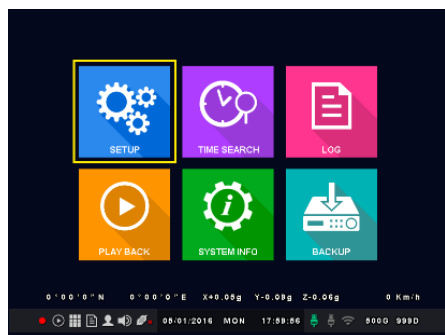
HMR-C708

Mobile FULL HD Digital Video Recorder
(4Ch, 1080p Real-time, HDMI)



FEATURES

- 8Ch Mobile DVR (Full HD, 1080p Resolution)
- Video Input : 8Ch – AHD 1080P, 720P, 960H, D1
- 240/200ps@1080p Real-time Recording, Display & Playback, 30/25fps/Ch@1080P
- 2 x 2.5" HDD or 2 x SSD Selectable
- SD Card slot for Event Recording
- 1 HDMI Video Out & 1 CVBS Video Out
- Storage Capacity : Max. 4TB (2TB x 2)
- Audio In 8Ch + 1Ch Mic. (Ext Port)
- Audio Out 1Ch + 1Ch Speaker (Ext Port)
- Alarm In 8TTL / Alarm Out 4 Relay
- Supports WiFi Dongle through USB Port
- 10/100/1000 Ethernet Network
- External GPS (4 Pin G-Mouse Type)
- PC Viewer, Monitoring Software (ACMS)

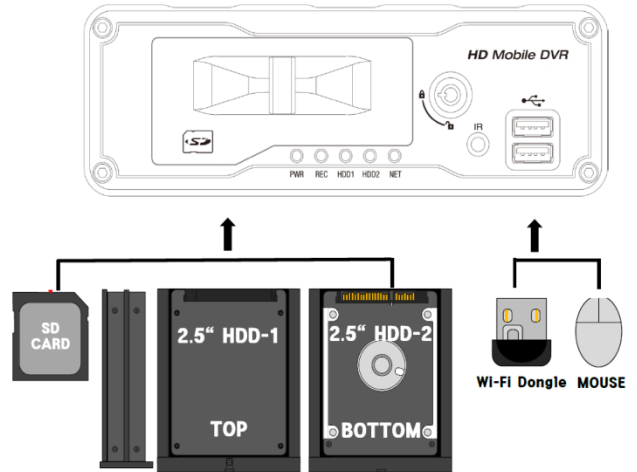
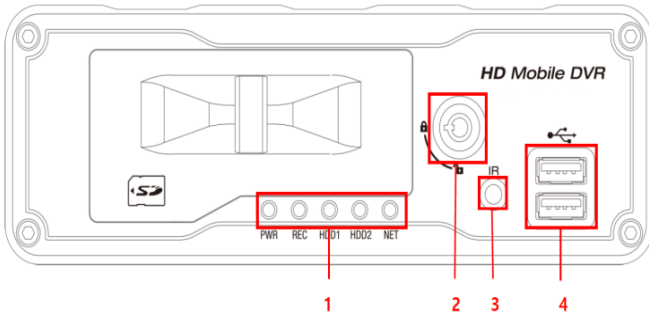


DVR SPECIFICATIONS

Interface		
Video	Input	8CH - AHD 1080P, 720P, 960H, D1
	Output	HDMI / CVBS
Audio	Input / Output	8CH + 1CH MIC (EXT. Port) / 1CH + 1CH Speaker (EXT. Port)
Alarm	Input / Output	8 TTL / 4 Relay
	Internal Buzzer	YES
Others	Ethernet	10/100/1000 Ethernet
	USB	USB2.0 Front 2 Ports / Back 1 Port
Record		
Compression(Video / Audio)		H.264 / G.711
Recording Resolution		Max. 240/200fps@1080P, 30fps/CH
General		
Electrical	Power Input	DC 10V ~ 30V, 500mA
Environmental	Operating Temperature	-20°C ~ +70°C (-4°F ~ +140°F)
	Humidity	0 ~ 90% RH (Non Condensing)
Mechanical	Dimension(mm)	182(W) x 175(D) x 62(H)mm
	Weight	Approx. 1.1kg (W/SD Card)
Language		English, Korean, Japanese, French
Certifi.	EMC/Safety	CE, FCC, E-mark, KC
Storage	Primary Storage	2 SATA SSD/HDD RACK
	Max. Storage	Max. 2TB HDD or SSD x 2 =4TB
	Data Export Device	USB Flash Drive
Monitoring	Display Rate	Real-time Display
	Display Mode	1, 4, 8
	Pentaplex	Live, Record, Playback, Backup, Network
	Color Control	Brightness, Contrast, Color

HMR-C708

Front Panel Functions



① Front LED indicators

- PWR : POWER ON > Green LED on
- REC: RECORDING > Red LED on
- HDD1: HDD-1 mounted > Orange LED flickering
- HDD2: HDD-2 mounted > Orange LED flickering
- NET: Network connected > Green LED on

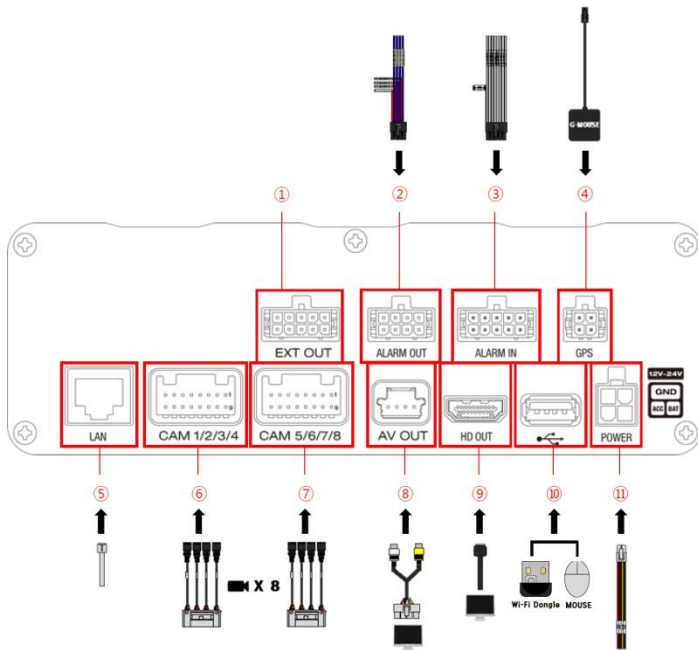
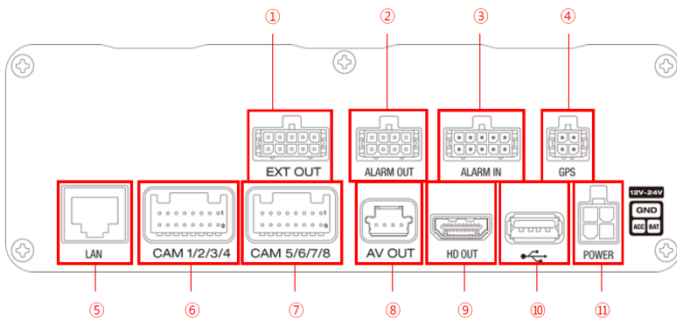
② Key lock: HDD and SD card lock

③ IR receiver for remote control

- ※ Make sure IR receiver is cleared and not blocked for remote control usage.

④ USB port: USB memory for upgrade and backup, USB mouse or WIFI dongle

Rear Panel Connections



① EXTERNAL OUT : 10 PIN / SPEAKER OUT, MIC IN, IR IN Connection

② Alarm Out : 8 PIN / Alarm Out Relay Connector

③ Alarm In : 10 PIN / Alarm In Realy Connector

④ GPS : 4 PIN / G-MOUSE Connector

⑤ LAN : RJ-45 / Ethernet Connection (10/100/1000)

⑥ CAM 1/2/3/4 : 16 PIN / Camera 1CH – 4CH VIDEO/AUDIO INPUT Connector

⑦ CAM 5/6/7/8 : 16 PIN / Camera 5CH – 8CH VIDEO/AUDIO INPUT Connector

⑧ A/V OUT : 4 PIN VIDEO / AUDIO OUTPUT Connector

⑨ HD OUT : 19 PIN / HD Video Out Connector (HDMI Output)

⑩ USB Port : USB Menyory, Mouse , WiFi Dongle Connection

⑪ POWER : 4 PIN Power Connector